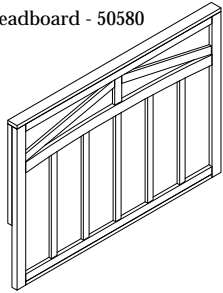
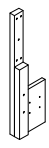
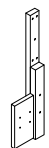
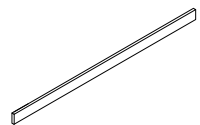
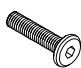
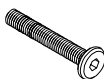





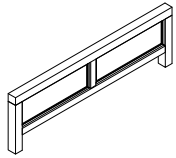
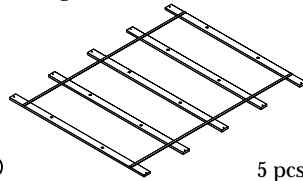

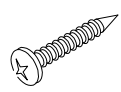
**Warning :**

- Be sure to check all packing material carefully for small parts, which may have come loose inside the carton during shipment.
- To prevent possible scratches and damage, this furniture **MUST BE ASSEMBLED BY TWO PEOPLE** on a soft surface such as a blanket or carpet.

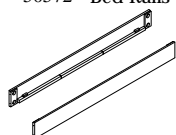
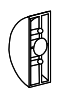
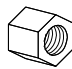


**Hardware and Parts packed with the Headboard**

<p>Panel Headboard - 50580</p>  <p>(H-A)</p>	<p>Headboard Post (Left)</p>  <p>(H-B)</p> <p>1 pc.</p>	<p>Headboard Post (Right)</p>  <p>(H-C)</p>	<p>Headboard Stretcher</p>  <p>(H-D)</p> <p>1 pc.</p>	
<p>Allen Head Bolt Ø5/16" - 18 x 1-5/8"</p>  <p>(H-E)</p> <p>2 pcs.</p>	<p>Allen Head Bolt Ø5/16" - 18 x 2-3/8"</p>  <p>(H-F)</p> <p>10 pcs.</p>	<p>Ø5/16" Spring Washer</p>  <p>(H-G)</p> <p>12 pcs.</p>	<p>Ø5/16" x Ø19mm Flat Washer</p>  <p>(H-H)</p> <p>12 pcs.</p>	<p>4mm Allen key</p>  <p>(H-I)</p> <p>1 pc.</p>

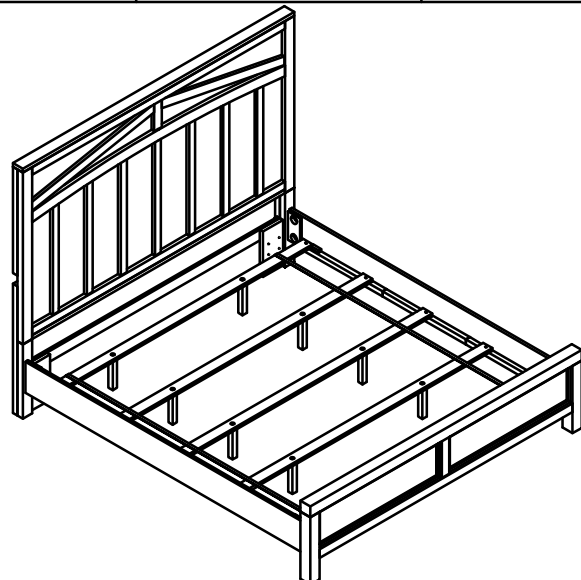
**Hardware and Parts packed with the Footboard**

<p>Panel Footboard - 50581</p>  <p>(F-A)</p> <p>1 pc.</p>	<p>Slats (77" long)</p>  <p>(F-B)</p> <p>5 pcs.</p>	<p>Support leg (7-7/8" x 1-1/4" x 1-1/4")</p>  <p>(F-C)</p> <p>10 pcs.</p>	<p>Wood Screw Ø4 x 30 (mm)</p>  <p>(F-D)</p> <p>10 pcs.</p>
--	--	---	--

**Hardware and Parts packed with the Bed Rails**

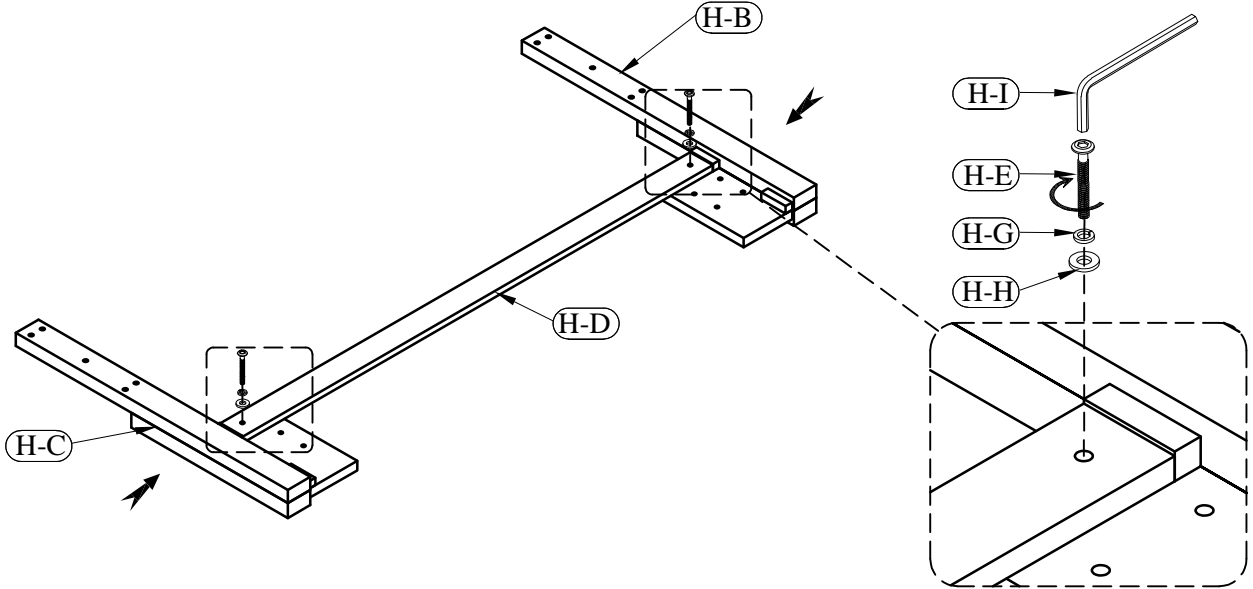
<p>50572 - Bed Rails</p>  <p>(R-A)</p> <p>2 pcs.</p>	<p>Ø5/16" Curved Washer</p>  <p>(R-B)</p> <p>8 pcs.</p>	<p>Ø5/16" x 17mm Nut</p>  <p>(R-C)</p> <p>8 pcs.</p>	<p>Ø5/16" - 18 x 3-1/8" Long Bolt</p>  <p>(R-D)</p> <p>8 pcs.</p>	<p>12 mm Open Wrench</p>  <p>(R-E)</p> <p>1 pc.</p>
---	--	---	---	--

**6/0-6/6 King Panel Bed**  
**50680 -- 6/6 Panel Headboard**  
**50581 -- 6/6 Panel Footboard**  
**50572 -- 5/0-6/6 Side Rails**

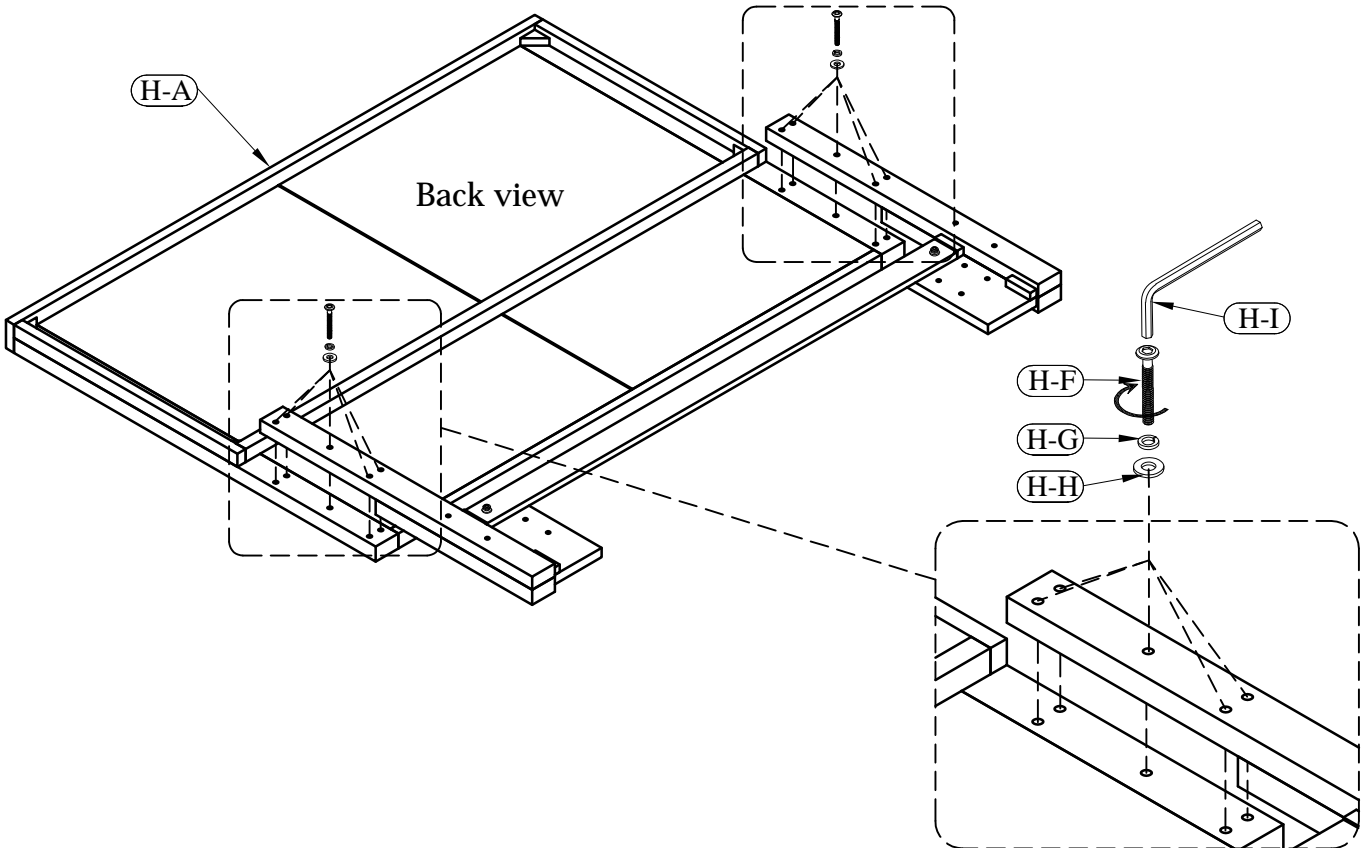


50580 -- 6/6 Panel Headboard

Step 1



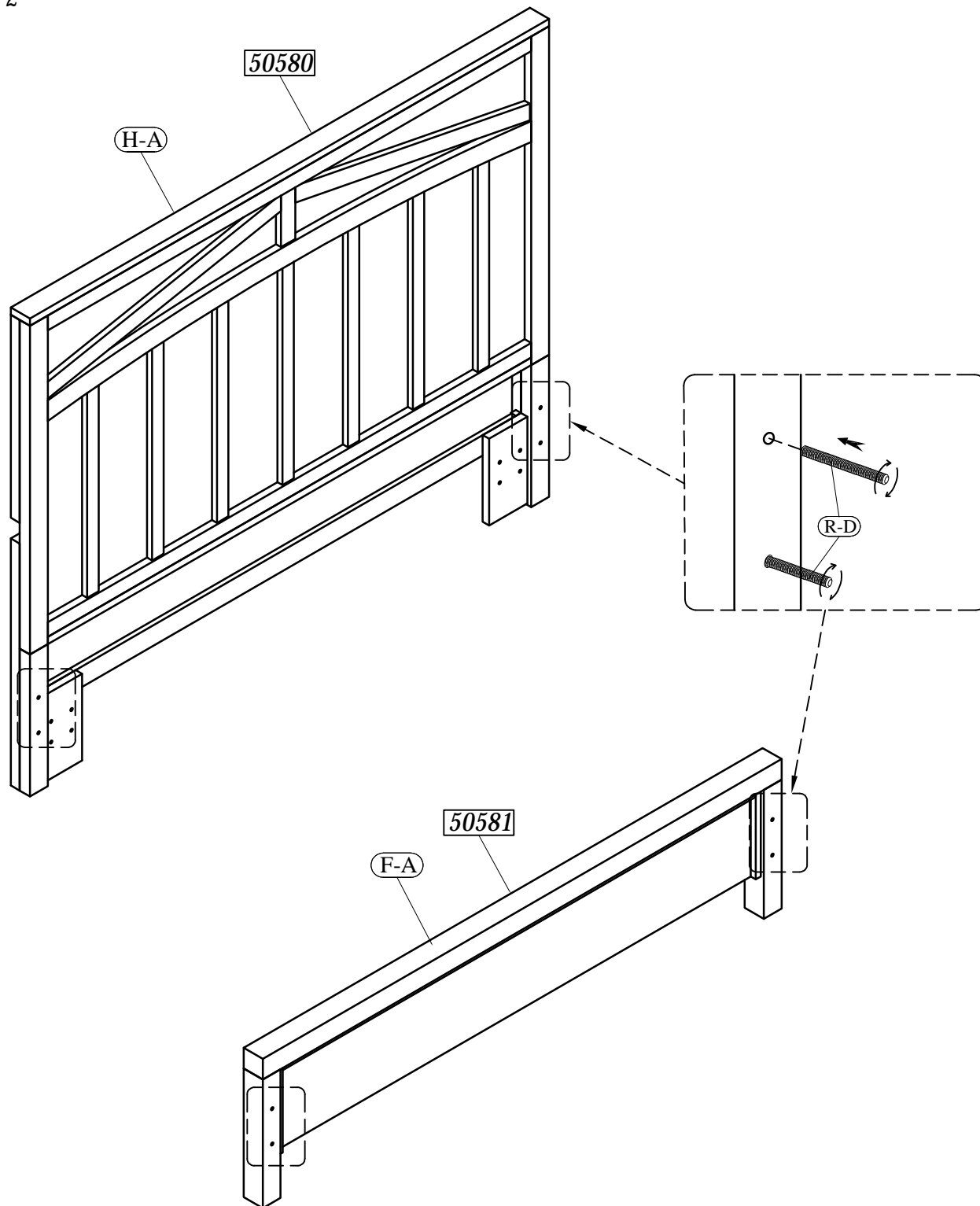
Step 2



50580 -- 6/6 Panel Headboard

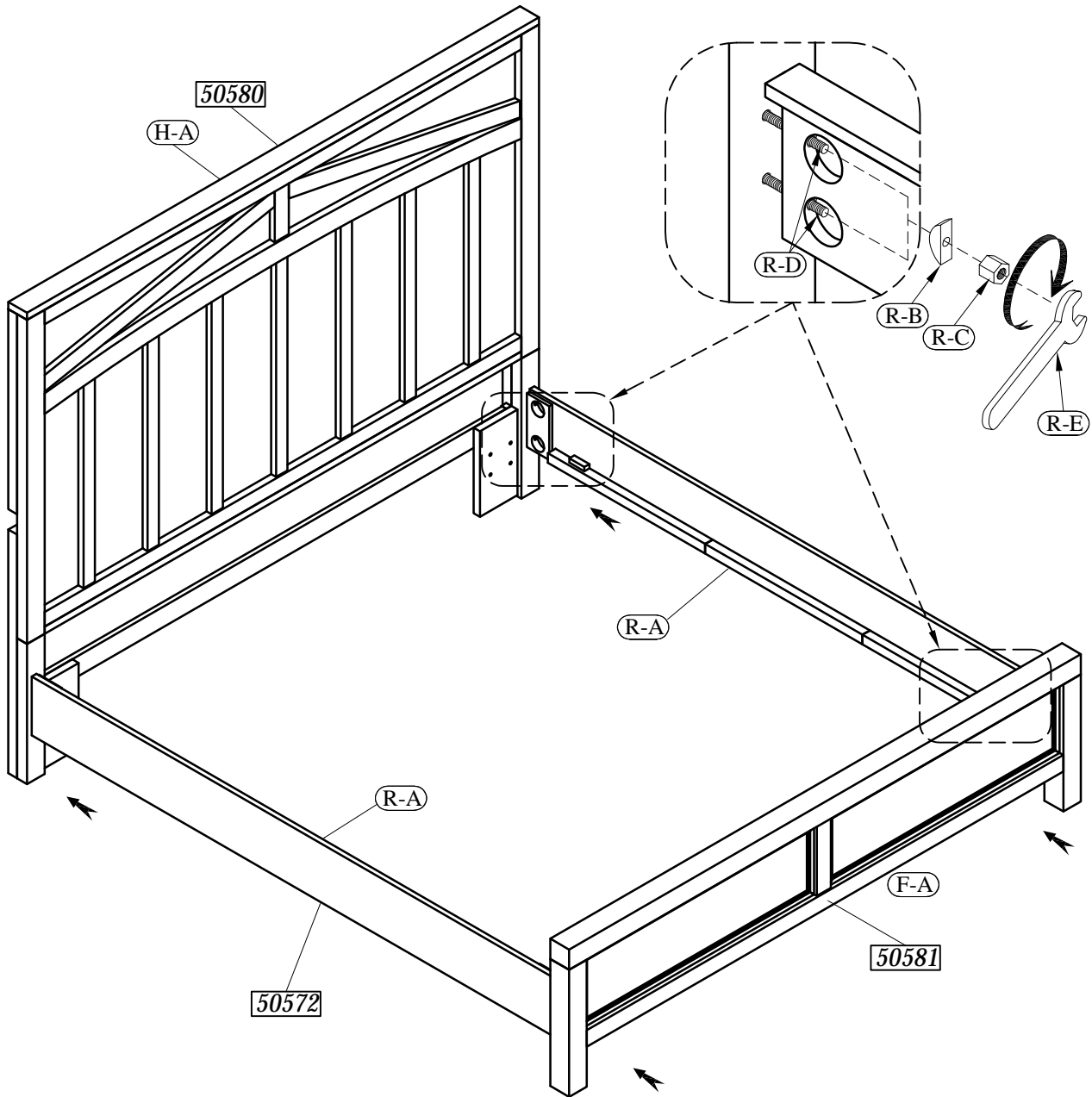
50581 -- 6/6 Panel Footboard

Step 2

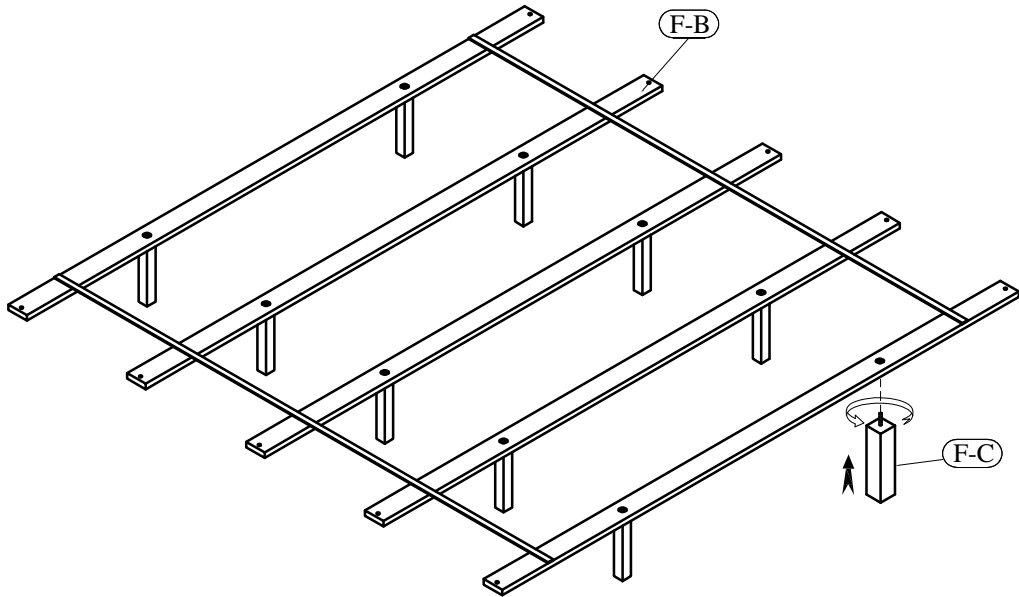


- 50680 -- 6/6 Panel Headboard
- 50581 -- 6/6 Panel Footboard
- 50572 -- 5/0-6/6 Side Rails

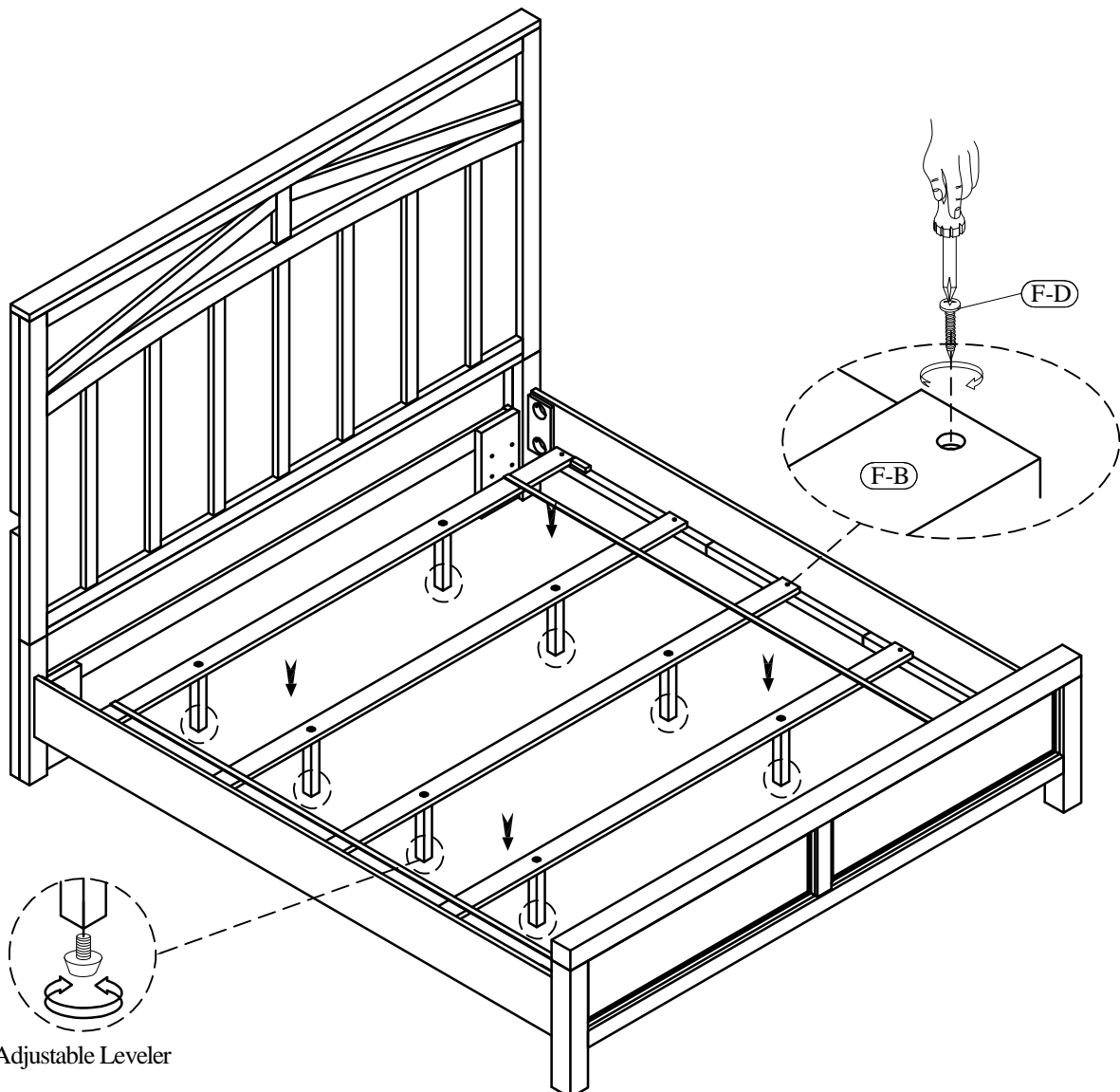
Step 3



Step 4

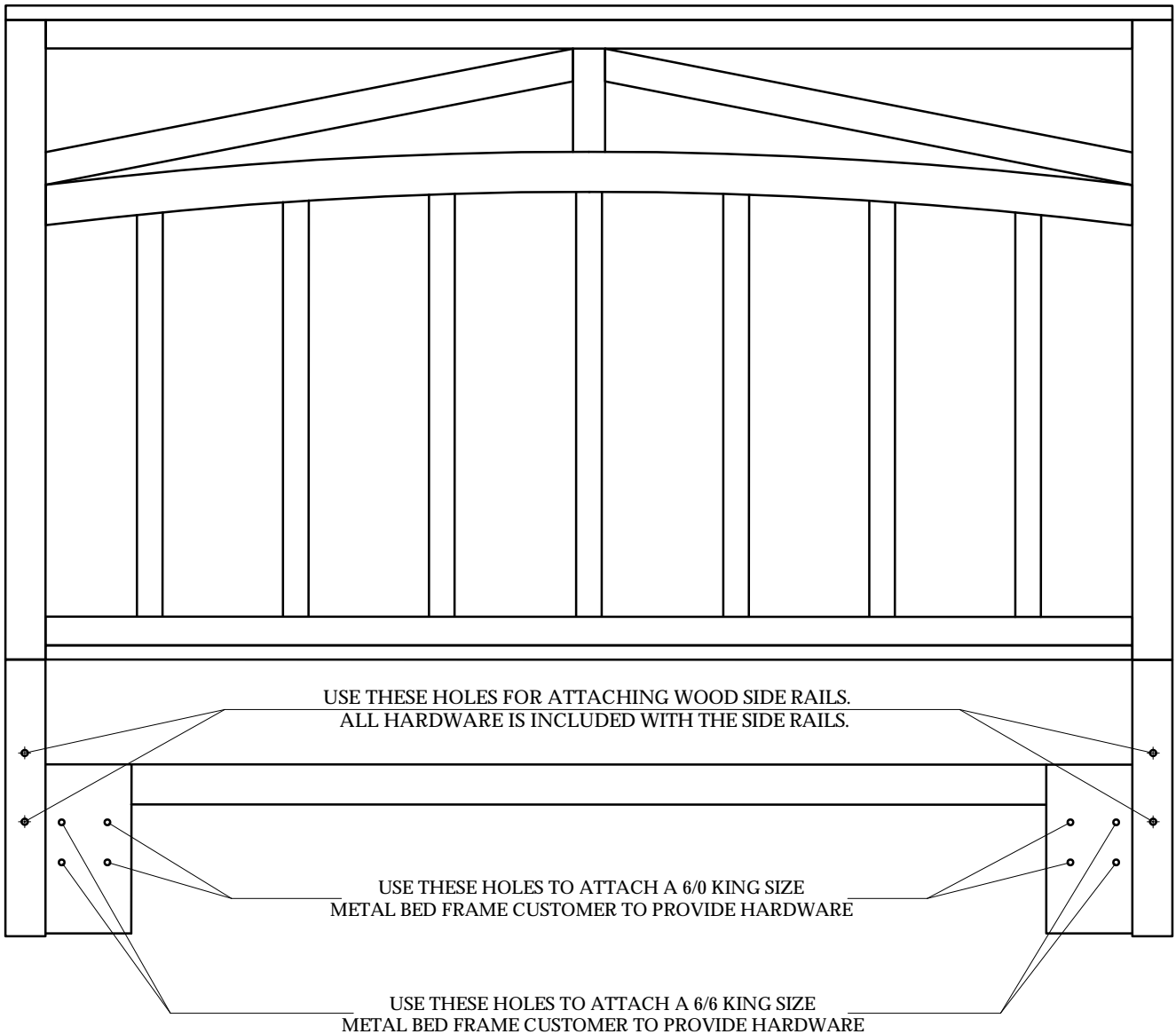


Step 5



Adjustable Leveler

6/0- 6/6 King Panel Bed  
50580 -- 6/6 Panel Headboard



The headboard may be used alone with a Eastern King or California King size metal bed frame.